



FAN INFORMATION:

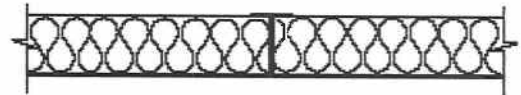
MODEL #: _____
 CFM: _____
 RPM: _____
 MOTOR: _____

LEFT SIDE WALL
 INSTALL PANELS IN
 ORDER FROM LEFT
 TO RIGHT

INTAKE
 SILENCER
 "x" "x"
 (W x H x L)
 OR LOUVER
 SEE DETAIL
 SHEET IN
 INSTALLATION
 INSTRUCTIONS

"W" x "H"
 INTAKE
 OPENING

REAR
 PANEL



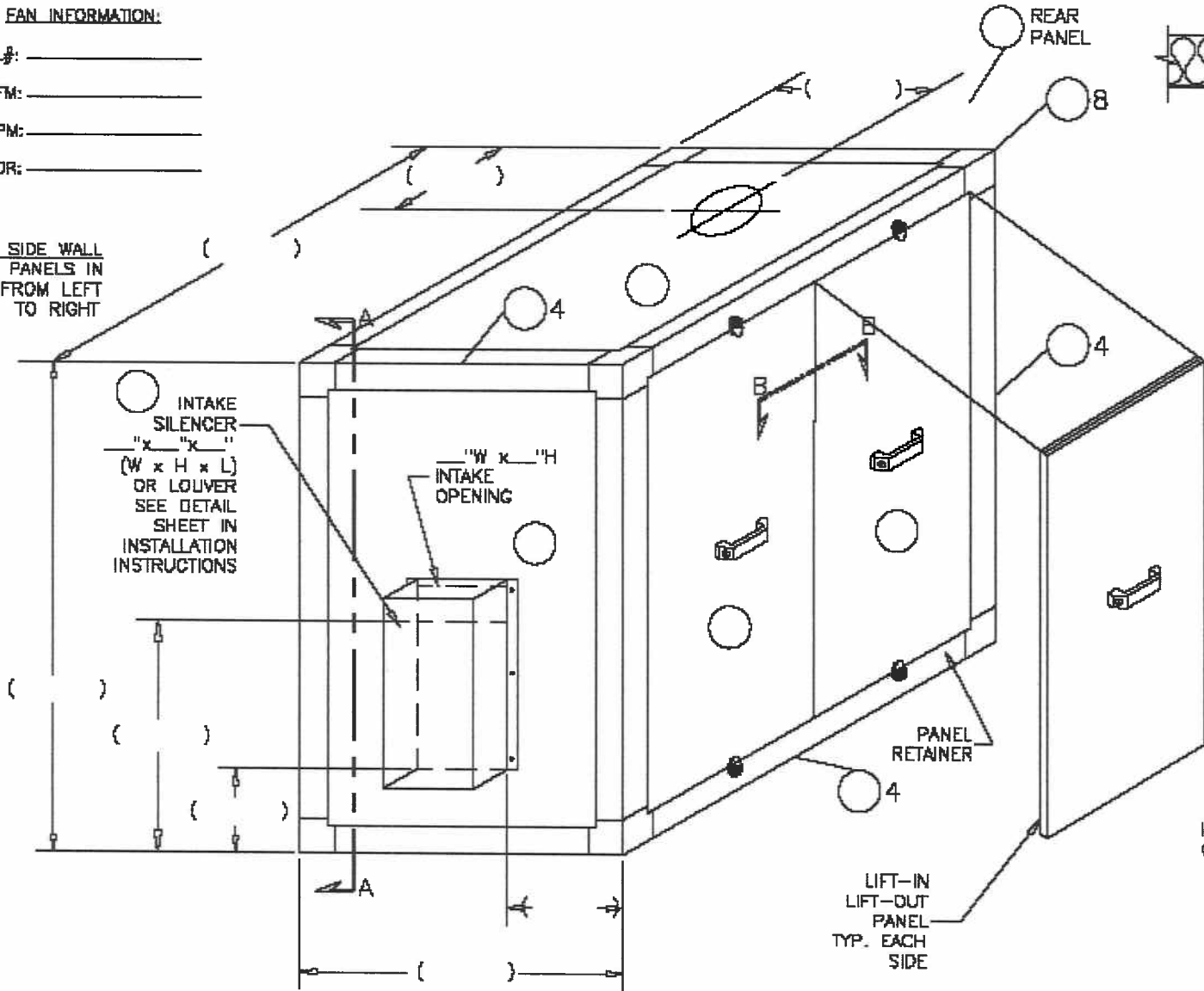
SECTION B-B

PANEL
 RETAINER

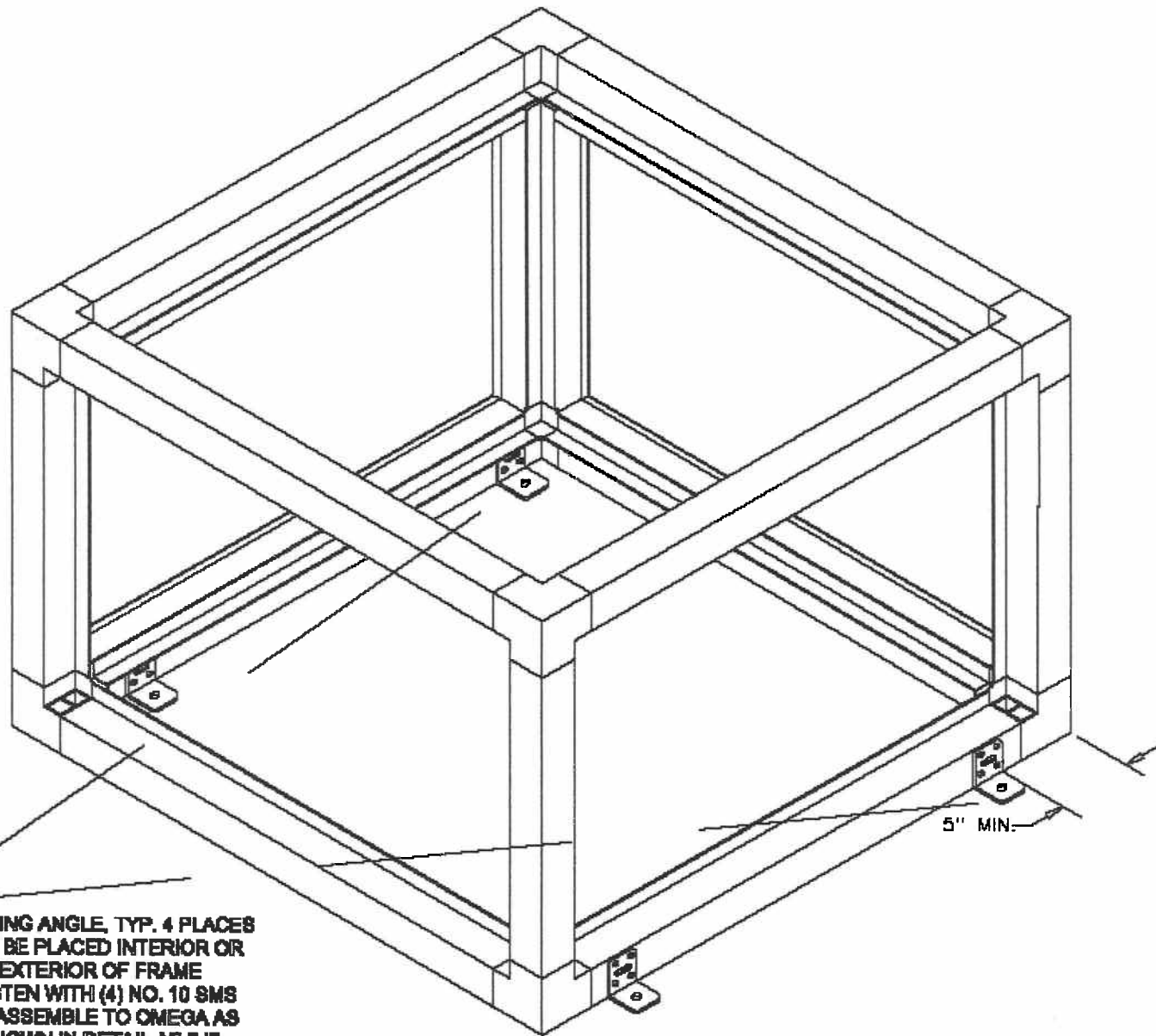
LIFT-IN
 LIFT-OUT
 PANEL
 TYP. EACH
 SIDE

RIGHT SIDE WALL
 INSTALL PANELS IN
 ORDER FROM LEFT
 TO RIGHT

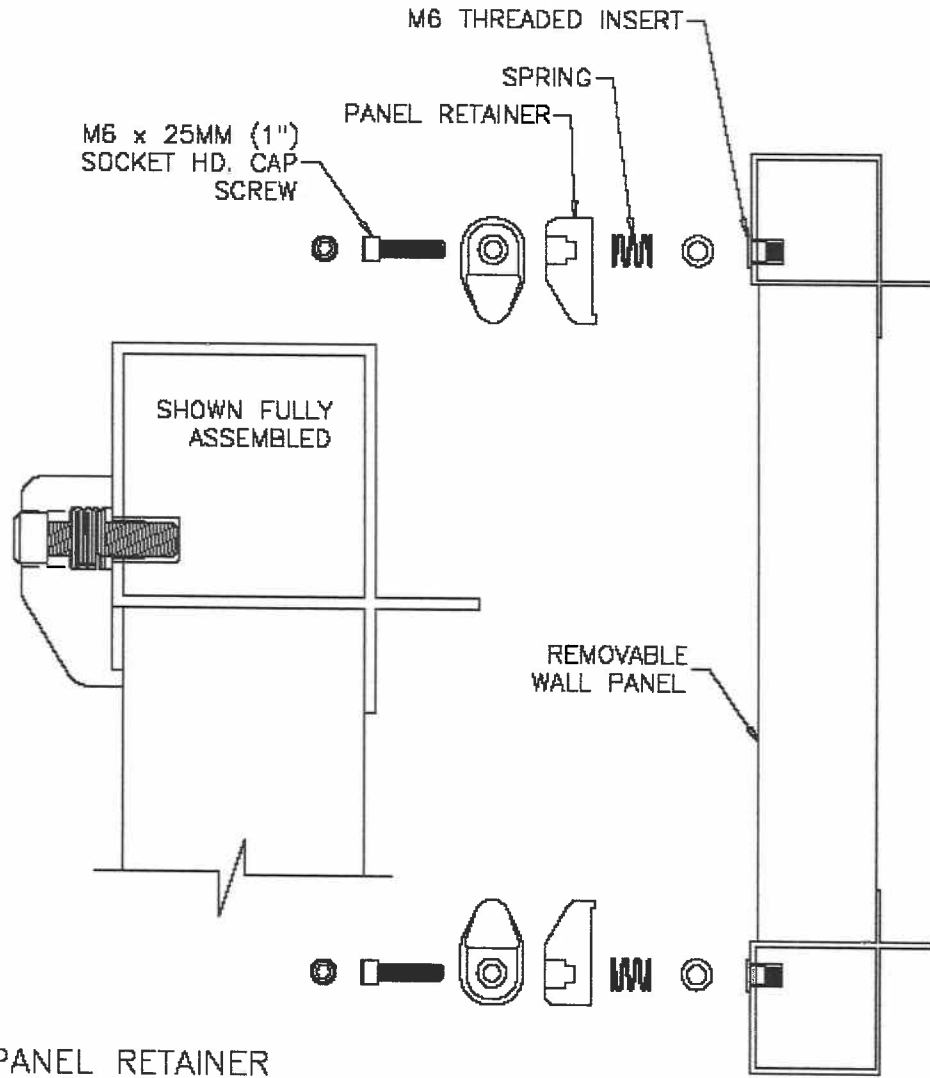
FRONT WALL



**FRAME LAGGING
INSTRUCTIONS**



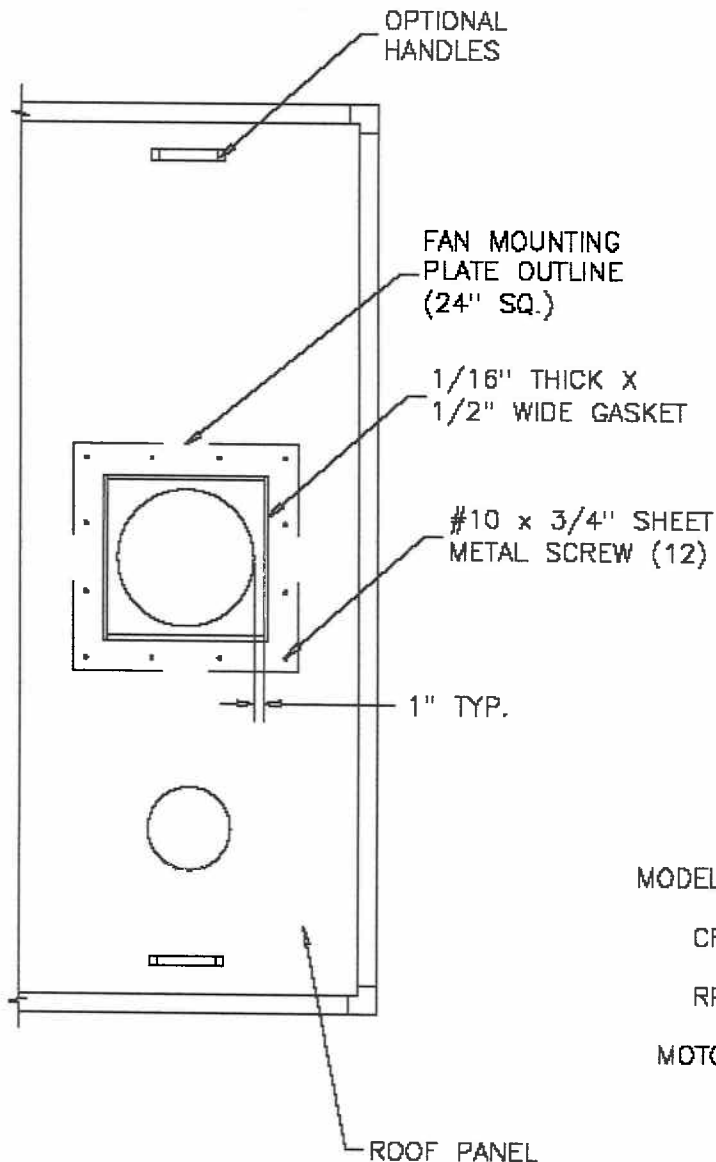
**LAGGING ANGLE, TYP. 4 PLACES
MAY BE PLACED INTERIOR OR
EXTERIOR OF FRAME
FASTEN WITH (4) NO. 10 SMS
OR ASSEMBLE TO OMEGA AS
SHOWN IN DETAIL AF-7 IF
APPLICABLE.**



PANEL RETAINER ASSEMBLY DETAIL

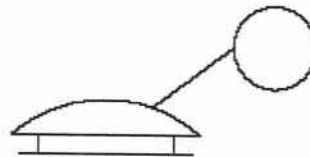
NOTES:

- ASSEMBLE COMPONENTS AS SHOWN.
- PANEL RETAINERS CAN BE TIGHTENED AS DESIRED WITH A METRIC ALLEN WRENCH. TO REMOVE A PANEL, PULL PANEL RETAINER UP AWAY FROM EXTRUSION, ROTATE 1/4-TURN AND REMOVE PANEL.



ASSEMBLING FAN TO ROOF PANEL:

1. ADHERE 1/16" GASKET OR CAULKING TO ROOF PANEL AS SHOWN (MAKE SURE SURFACE IS CLEAN AND FREE OF GREASE AND DIRT).
2. PLACE FAN OVER CUTOUT AND CENTER. NOTE: CORNERS OF FAN PLATE MAY BE TRIMMED AS DESIRED WITH TIN SNIPS.
3. ATTACH TO ROOF PANEL AS SHOWN USING SUPPLIED SHEET METAL SCREWS.



FAN INFORMATION:

MODEL#: _____

CFM: _____

RPM: _____

MOTOR: _____